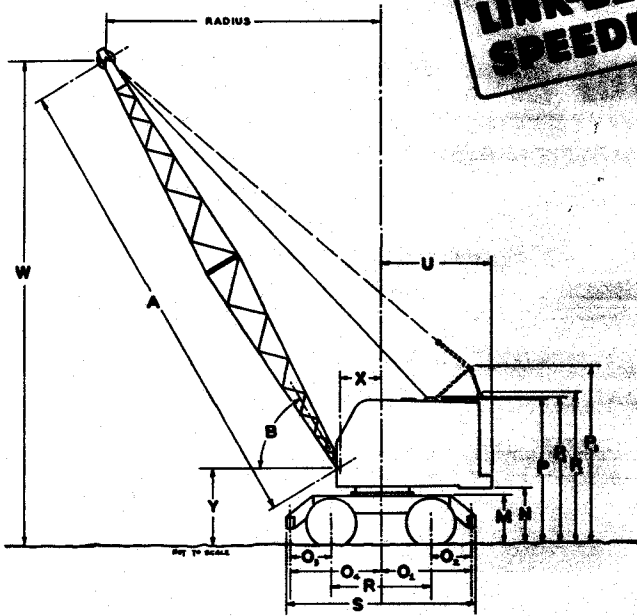


GENERAL INFORMATION ONLY



UC-68 15-Ton Utility Crane
Flysheet

15 TON WHEEL-MOUNTED CRANE (PCSA CLASS 10-35)
(Supersedes Flysheet CRF2083-1-62)



GENERAL DIMENSIONS

Basic boom length	A	30' 0"
Boom angle	B	
Over-all height top of ring gear plate	M	3' 7"
Ground clearance under counterweight	N	4' 0"
Centerline rotation to rear outrigger center	O1	6' 10"
Center rear axle to rear outrigger center	O2	3' 1"
Center front axle to front outrigger center	O3	3' 1"
Centerline rotation to front outrigger center	O4	6' 10"
Over-all cab height	P	11' 1"
Over-all height low gantry	P1	11' 4"
Over-all height retractable gantry lowered	P2	11' 6"
Over-all height retractable gantry raised	P3	14' 0"
Wheel base	R	7' 3"
Over-all carrier length (with outriggers)	S	14' 2"
Tailsling of counterweight	U	8' 3"
Radius of boom hinge pin	X	3' 1"
Height of boom hinge pin	Y	5' 11"
Minimum ground clearance		0' 10"
Over-all cab width		7' 10"
Over-all width (over tires and outriggers)		9' 0"

LIFTING CAPACITIES^①

BOOM			W Boom Point Height	LIFTING CRANE		DRAGLINE ②	CLAMSHELL MAGNET ③
Length	Radius	Angle		With Outriggers Side or Either End	On Tires— Stabilizers Applied Either End		
30'	10'	77°	35' 1"	30,000	16,670*	---	5,300
	12'	73°	34' 6"	21,640	13,700*	---	5,300
	15'	67°	33' 4"	15,340	10,740*	---	5,300
	20'	56°	30' 8"	10,170	7,780*	4,500	5,300
	25'	43°	26' 4"	7,490	6,000*	4,500	4,860
	29'	30°	20' 4"	---	---	4,500†	---
	30'	26°	19' 0"	5,860	4,790	---	3,800
40'	10'	80°	45' 3"	29,310	16,310*	---	5,300
	12'	77°	44' 10"	21,440	13,360*	---	5,300
	15'	73°	44' 1"	15,130	10,410*	---	5,300
	20'	65°	42' 1"	9,950	7,460*	---	5,300
	25'	57°	39' 3"	7,270	5,700*	4,500	4,500
	30'	48°	35' 5"	5,630	4,520*	4,010	3,610
	35'	37°	29' 11"	4,530	3,650	3,220	2,900
	40'	22°	21' 2"	3,730	2,990	2,930†	2,370
45' ② ③	12'	79°	50' 0"	21,340	13,190*	---	---
	15'	75°	49' 3"	15,020	10,240*	---	---
	20'	68°	47' 6"	9,840	7,300*	---	---
	25'	61°	45' 1"	7,160	5,540*	---	---
	30'	53°	41' 11"	5,520	4,360*	---	---
	35'	45°	37' 7"	4,410	3,510*	---	---
	40'	35°	31' 8"	3,610	2,870	---	---
50' ② ③	12'	80°	54' 11"	21,240	13,020*	---	---
	15'	76°	54' 6"	14,920	10,080*	---	---
	20'	70°	52' 11"	9,740	7,150*	---	---
	25'	64°	50' 10"	7,050	5,390*	---	---
	30'	57°	48' 0"	5,410	4,210*	---	---
	35'	50°	44' 4"	4,300	3,380*	---	---
	40'	42°	39' 7"	3,500	2,750*	---	---
45'	33°	33' 1"	2,900	2,250	---	---	
50'	20°	23' 2"	2,430	1,860	---	---	

BRIEF SPECIFICATIONS

LIFTING CRANE AND CLAMSHELL

30' boom standard.
Working weight with outriggers,
gasoline engine, no bucket35,830 lbs
Swing speed4.5 r.p.m
Lifting Crane Lagging Line Pull Line Speed
9" hoist (front)12,400 lbs.....@ 134 f.p.m
9" hoist (rear)12,000 lbs.....@ 134 f.p.m
Clamshell Lagging
11" closing (front)10,200 lbs.....@ 162 f.p.m
11" holding (rear)9,950 lbs.....@ 162 f.p.m

DRAGLINE

30' boom standard.
Working weight, with outriggers,
gasoline engine, no bucket36,130 lbs
Swing speed4.5 r.p.m
Lagging Line Pull Line Speed
10" inhaul (front)11,300 lbs.....@ 150 f.p.m
11" hoist (rear)9,950 lbs.....@ 162 f.p.m

① Lifting capacities shown are in pounds and are not more than 85% of minimum tipping loads with machine standing on firm level ground. A deduction must be made from the lifting capacities for the weight of hookblock, hook, sling grapple, etc. Maximum recommended boom length for lifting crane is 50 feet

* Indicates these lifting capacities are based on tire capacity. See Note ④ regarding all other lifting capacities.

② Retractable high gantry required for booms over 40 feet long.

③ Lifting crane service only.

† Dragline operation with boom angle less than 35° is seldom advisable.

NOTE: Six part hoist line 1/2" cable required for maximum lifts.

④ For normal dragline, clamshell, lifting magnet or similar work, weight of bucket or magnet plus load should not exceed capacities shown in dragline or clamshell-magnet chart with machine standing on firm level ground. These are values for normal conditions and exceptions may be made for above average conditions. However, allowances must be made for soft or uneven footing, bucket suction and other unfavorable conditions. Boom length for average dragline, clamshell, magnet or similar work should not exceed 40 feet.

WE ARE CONSTANTLY IMPROVING OUR PRODUCTS AND THEREFORE RESERVE THE RIGHT TO CHANGE DESIGNS AND SPECIFICATIONS

LINK-BELT SPEEDER

Link-Belt Speeder
Cedar Rapids, Iowa

Link-Belt Speeder (Canada), Ltd.
Woodstock, Ontario

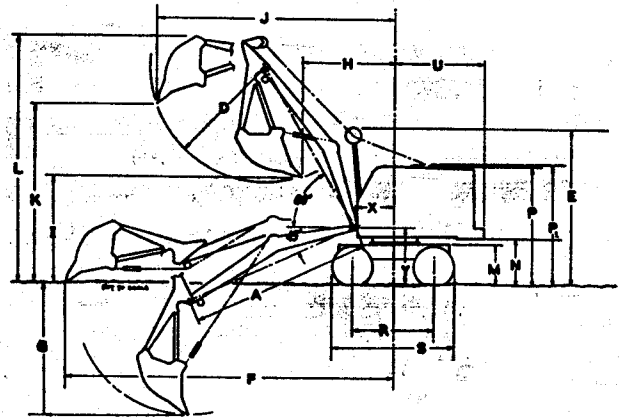
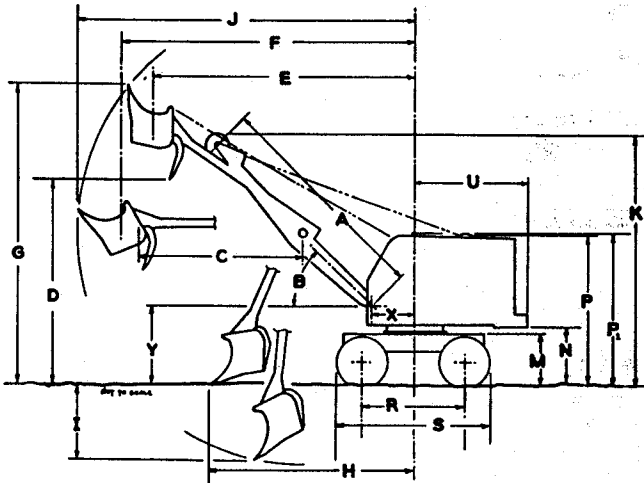
Printed in U.S.A.

11/6/14-14-3-11-64

GENERAL INFORMATION ONLY

**LINK-BELT
SPEEDER**

UC-68 ³/₄ Cubic Yard Shovel and Hoe



SHOVEL WORKING RANGES

Dipper capacity, cubic yards (struck measure)	3/4
A—Boom length, center to center of pins	16' 0"
Effective boom length (center of boom foot pin to cable pitch line of peak sheave)	16' 9"
C—Dipper stick length, effective	12' 3"
Dipper stick length, over-all	13' 0"
X—Radius of boom hinge pin	3' 1"
Y—Height of boom hinge pin	5' 11"

BOOM ANGLE	B	60°	55°	50°	45°	40°
Maximum dumping height	D	18' 4"	17' 4"	16' 2"	15' 1"	13' 9"
Dump. radius at max. height	E	16' 0"	17' 4"	18' 6"	19' 6"	20' 6"
Maximum dumping radius	F	19' 11"	20' 6"	21' 0"	21' 5"	21' 11"
Maximum cutting height	G	25' 11"	24' 9"	23' 7"	22' 3"	20' 9"
Maximum clean-up radius	H	15' 7"	15' 11"	16' 3"	16' 5"	16' 7"
Maximum digging depth	I	4' 1"	4' 7"	5' 0"	5' 6"	5' 10"
Maximum cutting radius	J	23' 5"	23' 11"	24' 5"	24' 11"	25' 4"
Boom clearance height	K	20' 7"	19' 10"	19' 1"	18' 1"	17' 1"

GENERAL DIMENSIONS COMMON TO BOTH SHOVEL AND HOE

Over-all height top of ring gear plate	M	3' 7"
Ground clearance under counterweight	N	4' 0"
Over-all cab height	P	11' 1"
Over-all height low gantry	Pl	11' 4"
Wheel base	R	7' 6"
Over-all carrier length (without outriggers)	S	11' 1"
Tailswing of counterweight	U	8' 3"

BRIEF SPECIFICATIONS

SHOVEL

Approximate working weight with low gantry, counterweight "A"	36,930 lbs.
Crowd speed	101 f.p.m.
Retract speed	146 f.p.m.
Swing speed	4.5 r.p.m.
Lagging	Line Pull
9" hoist (rear)	12,000 lbs. @ 134 f.p.m.

HOE

Approximate working weight with low gantry, counterweight "A"	36,980 lbs.
Swing speed	4.5 r.p.m.
Lagging	Line Pull
10" inhaul (front)	11,300 lbs. @ 150 f.p.m.
11" hoist (rear)	9,950 lbs. @ 162 f.p.m.

POWER UNITS

Suitable for operation up to 4,000' above sea level. For operation at higher altitudes consult factory.

Standard—Waukesha 190GLBU gasoline engine with torque converter, six cylinder, 55 net h.p. @ 1680 r.p.m. full load speed.

Optional at extra cost—Diesel: Waukesha with torque converter, General Motors with torque converter.

HOE WORKING RANGES

Bucket capacity, cubic yards	3/4	
Bucket cutting width (standard)	39 1/2"	
Boom length	A	16' 6"
Average sweep radius	D	9' 7"
Height of hoe mast	E	14' 6"
Maximum digging radius	F	29' 1"
Maximum digging depth①	G	16' 0"
Radius beginning of dump	H	8' 8"
Ground clearance beginning of dump	I	10' 5"
Clearance radius end of dump	J	20' 11"
Ground clearance end of dump	K	16' 5"
Over-all height end of dump	L	21' 5"
Radius of boom hinge pin	X	3' 7"
Height of boom hinge pin	Y	5' 3"

① Dimension "G" shows maximum digging depth with 45° boom conforming to U.S. Dept. of Commerce Standards. The maximum "effective" digging depth will vary according to the type of soil and excavation.

HOE LIFTING CAPACITIES

These are maximum lifting capacities for the hoe when used for laying pipe. Two part hoist line used.

BOOM RADIUS②	LIFTING CAPACITIES
12'	9,300 lbs.
15'	7,600 lbs.
20'	4,700 lbs.

② Radius is measured from machine centerline of rotation to centerline of boom peak shaft. Capacities are based upon hoe arm being in a vertical position.



These specifications comply with the recommended Commercial Standard CS90-58, developed under the National Bureau of Standards and issued by the United States Department of Commerce.

WE ARE CONSTANTLY IMPROVING OUR PRODUCTS AND THEREFORE RESERVE THE RIGHT TO CHANGE DESIGNS AND SPECIFICATIONS

For Certified Dimensions, Consult Factory

LINK-BELT SPEEDER

Link-Belt Speeder
Cedar Rapids, Iowa

Link-Belt Speeder (Canada), Ltd.
Woodstock, Ontario